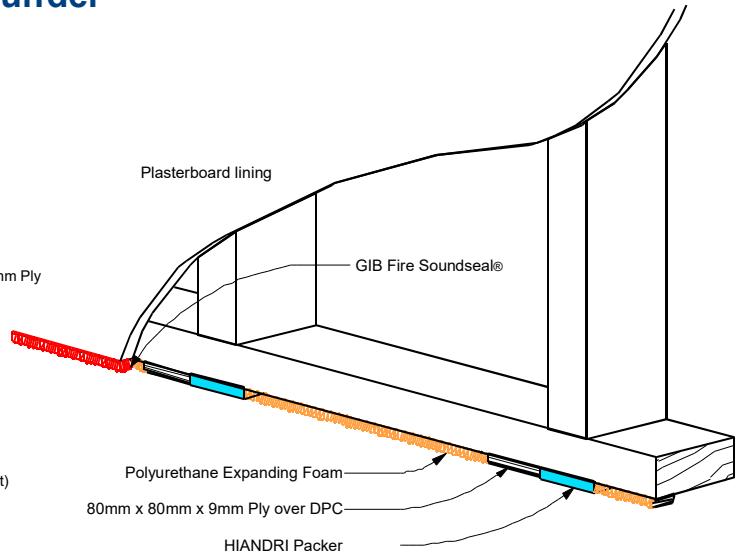
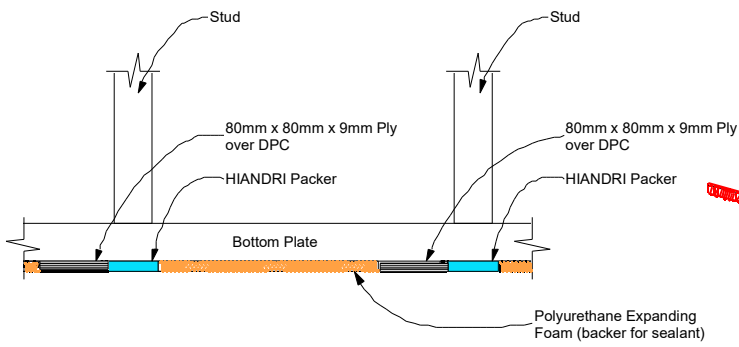


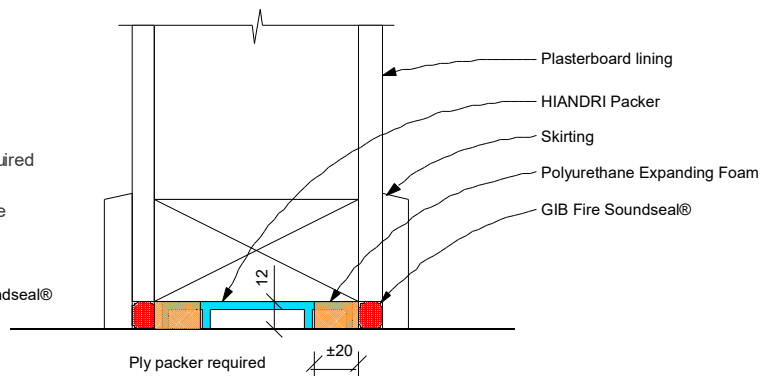
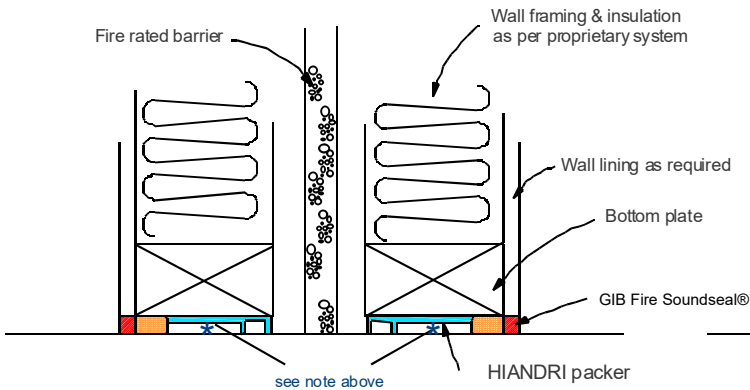
# HIANDRI Fire wall detail to be used under fire rated walls

\* Ply packer not required under bottom plate for Barrier type fire walls only



## INTERIOR WALLS

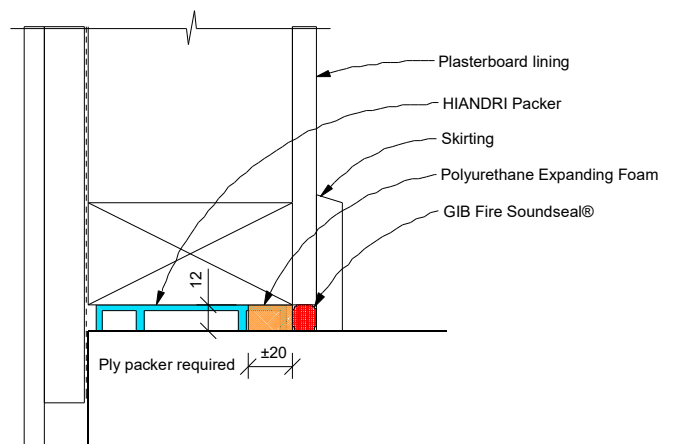
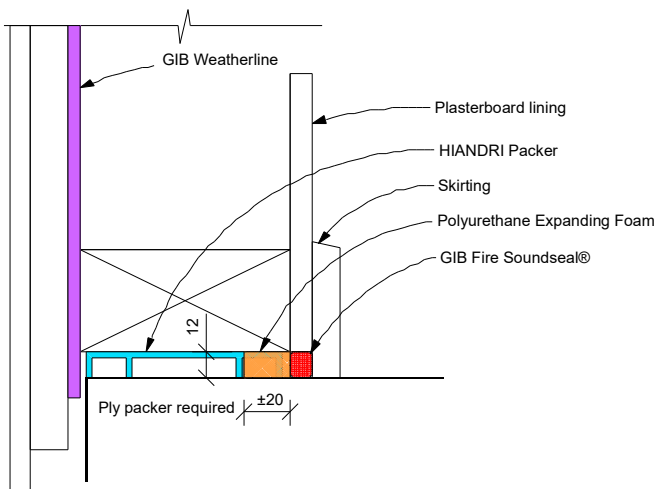
\* Ply packer not required under bottom plate for Barrier type fire walls only



BARRIER TYPE INTERTENANCY SYSTEMS  
DETAIL

TWO WAY FIRE RATED WALL  
DETAIL

## EXTERIOR WALLS



TWO WAY FIRE RATED WALL  
DETAIL

ONE WAY FIRE RATED WALL  
DETAIL